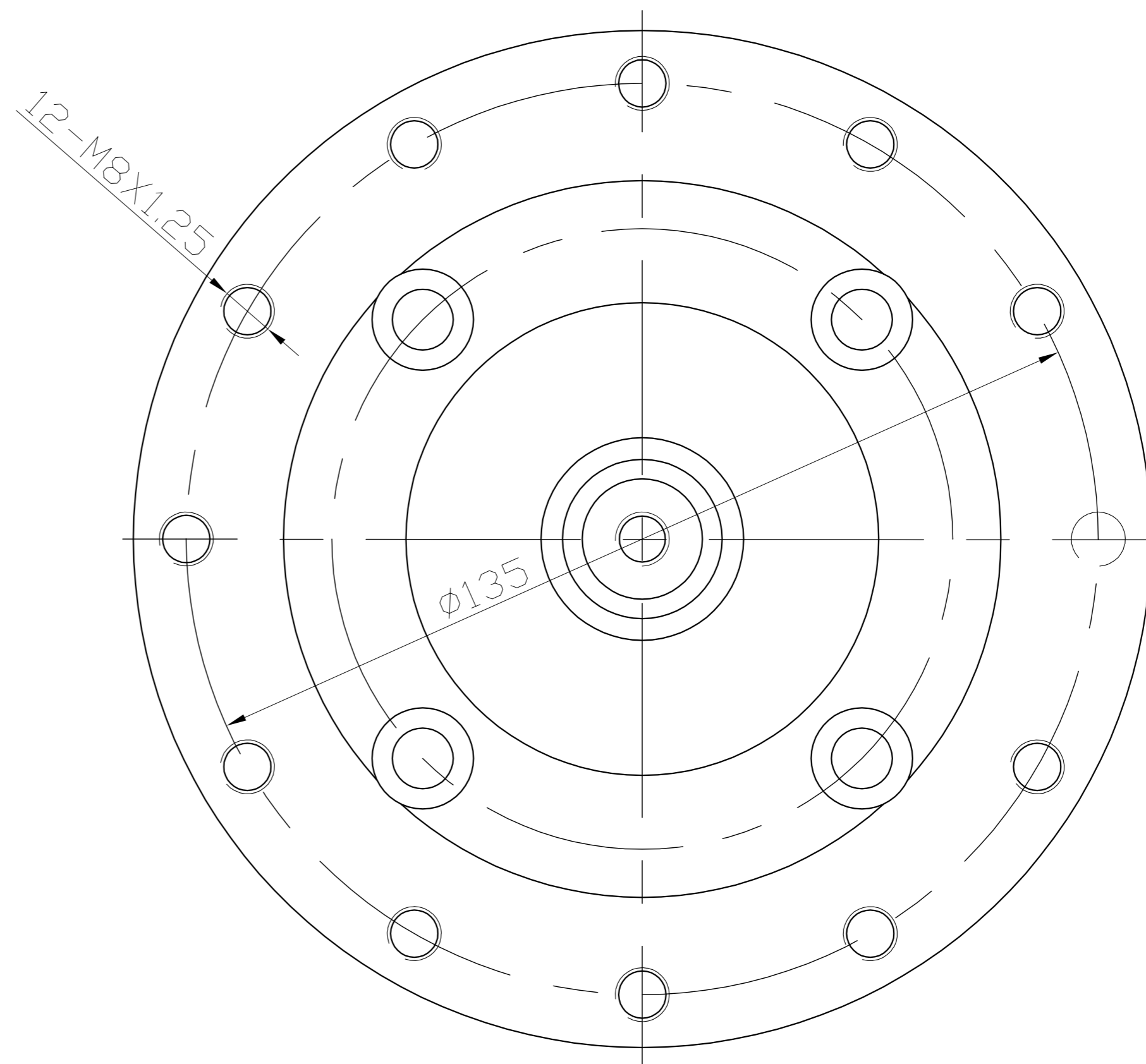


**170FA G4**



**PTO Flange**